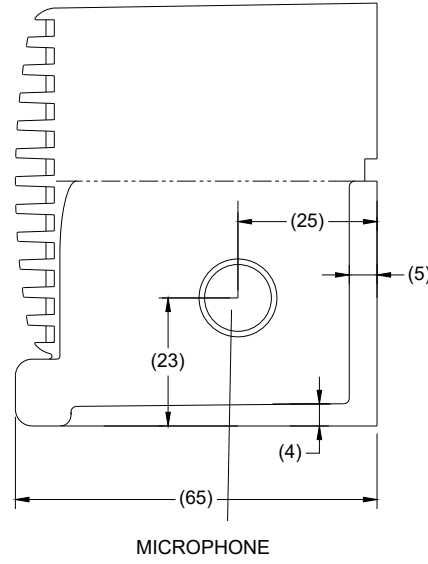
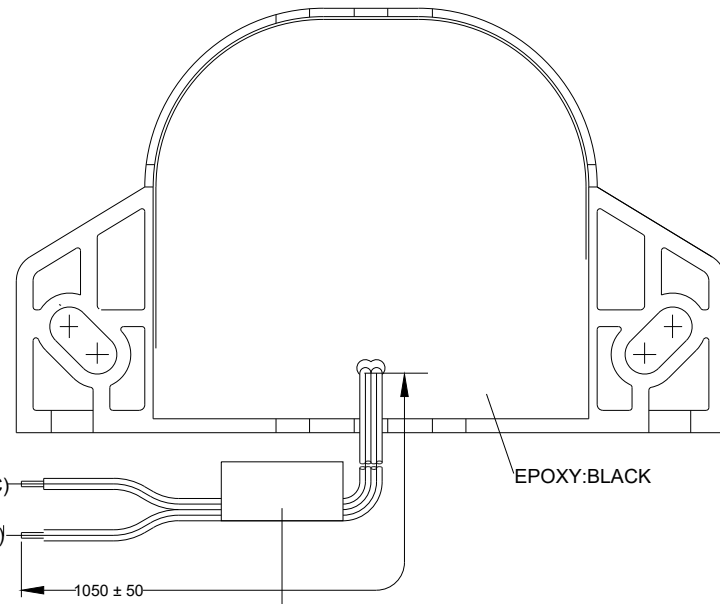
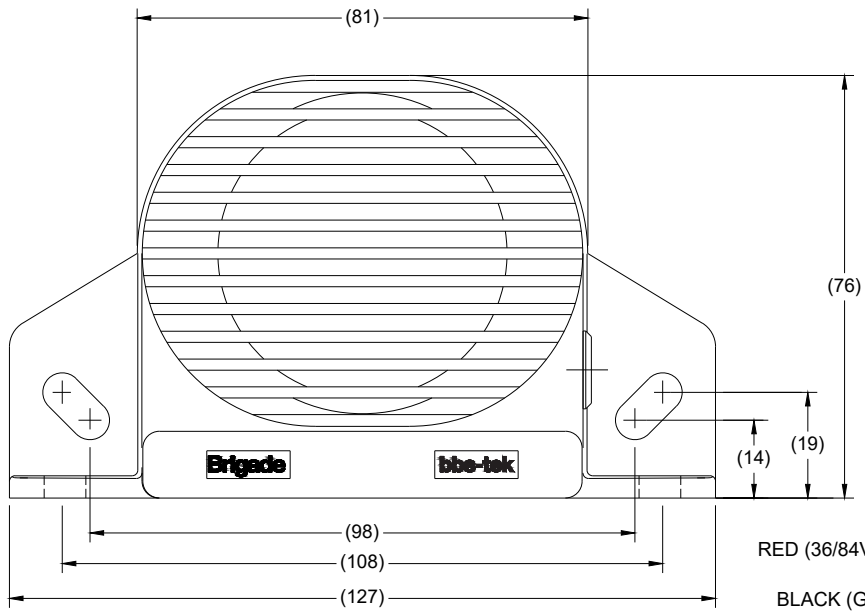
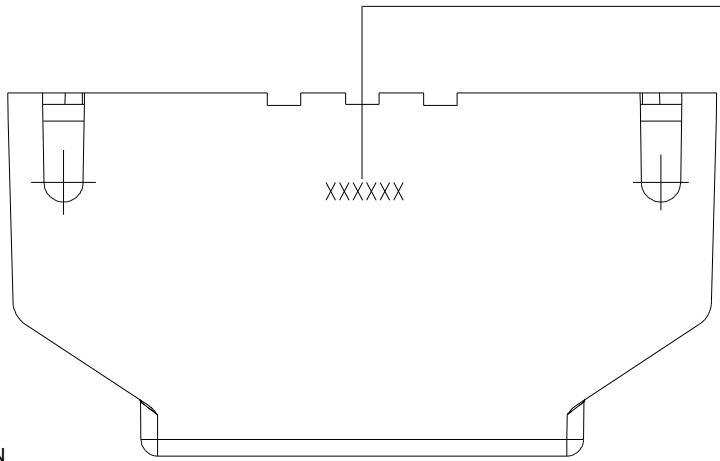
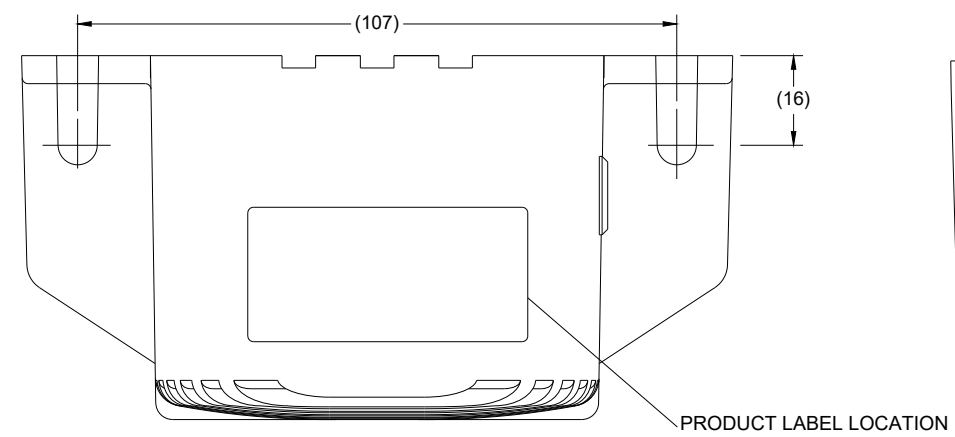


Revision Notes				
R1 -				
APA -	Drawn--	Checked--	Approved--	Date: -



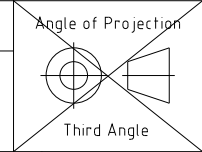
BRIGADE FITTING INSTRUCTION
MANUAL LABEL

PRODUCTION LOT NO.
 X X X X X X X
 YEAR
 MONTH
 DAY
 E= EUROPE
 U= USA
 A= AUSTRALIA



- NOTES:**
1. FINISH IS BLACK
 2. MATERIAL : PA6
 3. FOR LABEL AND PACKAGING DETAILS REFER TO MASTER BOM.
 4. ANY CUSTOMER MODIFICATION OF THIS PRODUCT CAUSING SUBSEQUENT FAILURE IS NOT A LIABILITY OF BRIGADE ELECTRONICS PLC.

PROPRIETARY NOTICE
 THIS DESIGN AND TECHNICAL INFORMATION APPEARING ON THIS DRAWING IS THE PROPERTY OF BRIGADE ELECTRONICS, AND IS DISCLOSED IN CONFIDENCE. IT IS NOT TO BE COPIED, REPRODUCED, REVEALED TO OR EXPROPRIATED BY OTHERS, EITHER IN WHOLE OR IN PART WITHOUT THE EXPRESS WRITTEN CONSENT OF BRIGADE ELECTRONICS.



Sheet 1 of 1	Assembly Pl Approval W. FUKUZAWA	Approved by A. KEBEDE	Checked by L. CHEUNG	Drawn by E. MATHEW
Customer Approval N/A	Angle of Projection Third Angle	Units mm	Scale N/A	Released 12/02/2026
Status RELEASED		Assembly Ref SA-BBS-97HV		
Part No 1398A		BE-005081-00-25		